



NexStar[®]3

 **SuperSpeed**

External 2.5" Hard Drive Enclosure
USB 3.0 External Interface

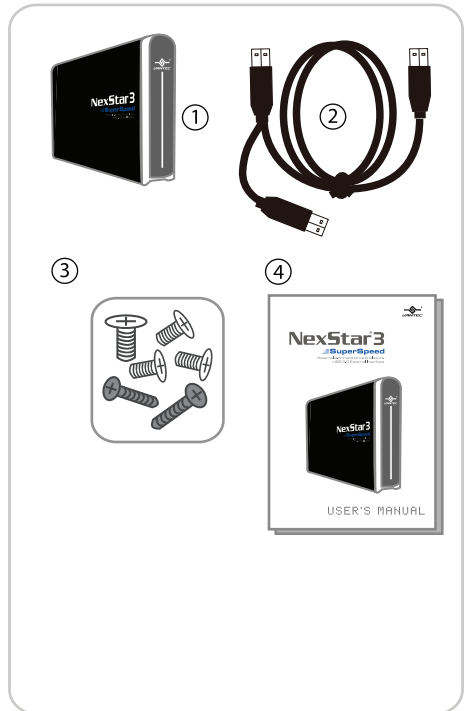


USER'S MANUAL

Package Contents:

NexStar 3 SuperSpeed SATA to USB 3.0 External 2.5" HDD Enclosure:

- ① 2.5" NexStar 3 HDD Enclosure
- ② USB 3.0 Y-Cable (1m A to A Cable)
- ③ Installation Screws
- ④ User's Manual



TRADEMARKS

MS-DOS, Microsoft, Windows NT/2000/XP/Vista/7 are trademarks of Microsoft Corporation.

Apple, Macintosh and Mac are trademarks of Apple Computer.

NexStar is a registered trademark of Vantec Thermal Technologies.

*All other third-party brands and names are the property of their respective owners.

Table of Contents:

1. Introduction	02
2. Specifications/Features	
NexStar 3 Superspeed External 2.5" HDD Enclosure	03
3. System Requirements	04
4. Parts Layout	
NexStar 3 Superspeed External 2.5" HDD Enclosure	05
5. Installation	
NexStar 3 Superspeed External 2.5" HDD Enclosure	
5.1 Hardware Installation	06
6. Disconnecting the NexStar 3	
NexStar 3 Superspeed External 2.5" HDD Enclosure	09
7. Creating A New Partition	10
8. Warranty	13
9. Contact	13

1. Introduction:

Transferring files has just gotten a whole lot faster with the Vantec NexStar 3 SuperSpeed USB 3.0 External Hard Drive Enclosure. Integrated with the latest USB 3.0 technology, performance is increased by 10 fold offering maximum speeds of up to 5 Gbps. With its mirror finish and sleek curves, the Vantec NexStar 3 SuperSpeed stands out from the crowd. The sturdy drive cage protects your hard drive while the aluminum case effectively draws away the heat, protecting your drive from overheating. The NexStar 3 SuperSpeed USB 3.0 External Hard Drive Enclosure is an ideal way of storing and transferring large amounts of data in an enclosure that matches your style!



2. Specifications/Features:

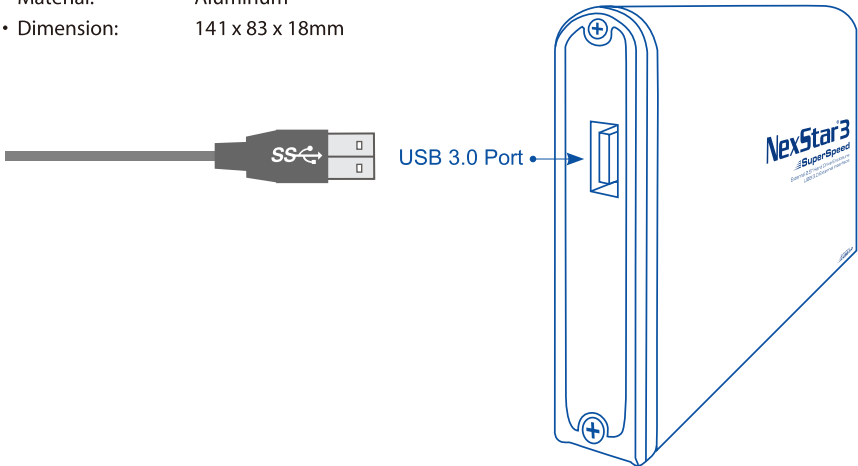
NexStar 3 SuperSpeed USB 3.0 External 2.5" HDD Enclosure:

Features:

- Attractive Mirror Finish Design
- Aluminum Casing Cools Down Your Hard Drive
- Supports ALL 2.5" Hard Drives -- 7mm, 9.5mm, 12.5mm, SSD
- Maximum Transfer Rates Up to 5 Gbps w/USB 3.0
- Maximum Transfer Rates Up to 480 Mbps w/USB 2.0
- Backwards-Compatible with USB 2.0 or 1.1
- Hi-Quality Shielded USB 3.0 Cable Ensures Data Integrity and Speed
- Hot-Swappable: Plug & Play Without Rebooting
- Attractive Blue LED Indicates Power & HDD Activity

Specifications:

- Model: NST-280S3
- Device Support: SATA I/II Hard Drive
- Device Size: 2.5" (7mm, 9.5mm, 12.5mm)
- Internal Interface: SATA I/II
- External Interface: USB 3.0 (Backwards Compatible With USB 2.0 & 1.1)
- HD Capacity: Up to 1 TB*
- Material: Aluminum
- Dimension: 141 x 83 x 18mm



*For the most updated Storage Capacity, please check our website: www.vantecusa.com

3. System Requirements:



Microsoft Windows XP/Vista/7

1. For USB 2.0 speeds, the system must support USB 2.0 specifications
2. For USB 3.0 speeds, the system must support USB 3.0 specifications



Mac OS 10.4 & greater

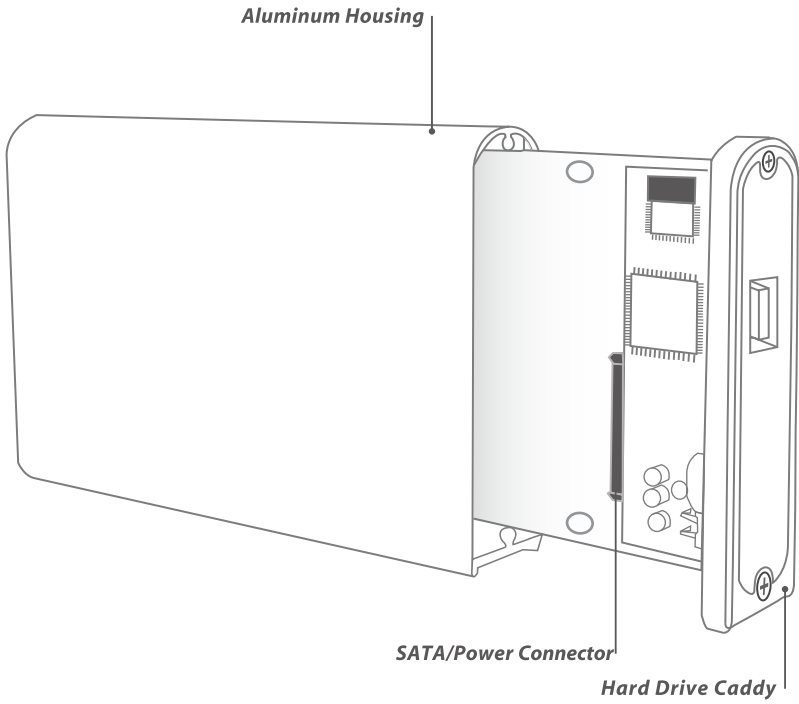
1. For USB 2.0 speeds, the system must support USB 2.0 specifications
2. For USB 3.0 speeds, the system must support USB 3.0 specifications

NOTE :

USB 3.0 products will work with a USB 2.0 ports however they will only function at USB 2.0 specifications.

4. Parts Layout:

NexStar 3 SuperSpeed SATA to USB 3.0 External 2.5" HDD Enclosure:



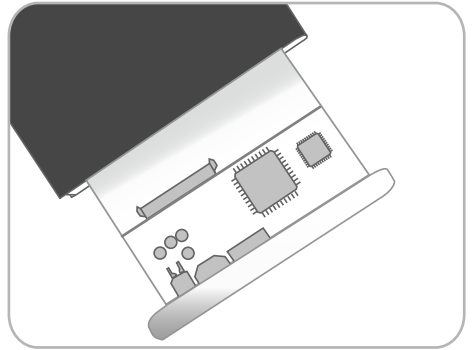
5. Installation:

NexStar 3 SuperSpeed SATA to USB 3.0 External 2.5" HDD Enclosure:

5.1. Hardware Installation:

Preparing the NexStar 3:

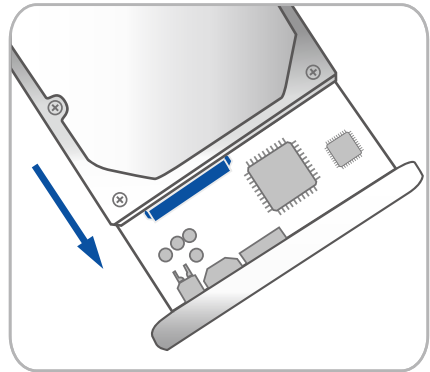
- (1) Remove the side of the NexStar 3 SuperSpeed with the power and USB connection ports.
- (2) Carefully slide out the hard drive caddy.



(figure 5.1-A)

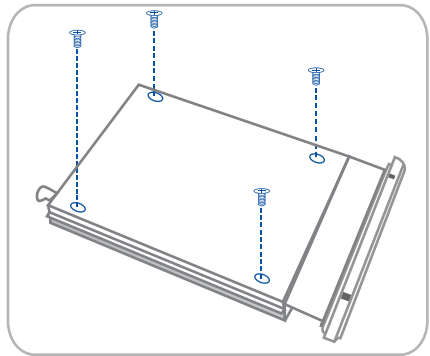
Installing the hard drive in the NexStar 3 SuperSpeed:

- (1) Connect the SATA and power connector to the hard drive as pictured. (figure 5.1-B)



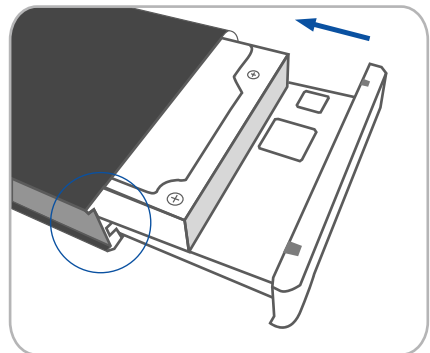
(figure 5.1-B)

- (2) Align the hard drive mounting holes with the holes on the back of the drive caddy and secure the hard drive with the screws provided. (figure 5.1-C)



(figure 5.1-C)

- (3) Insert the drive caddy back into the aluminum housing. When reinserting the caddy, be sure to align the caddy under the screw rails. Once the caddy is placed, fasten the screws to secure the caddy in the enclosure. (figure 5.1-D)



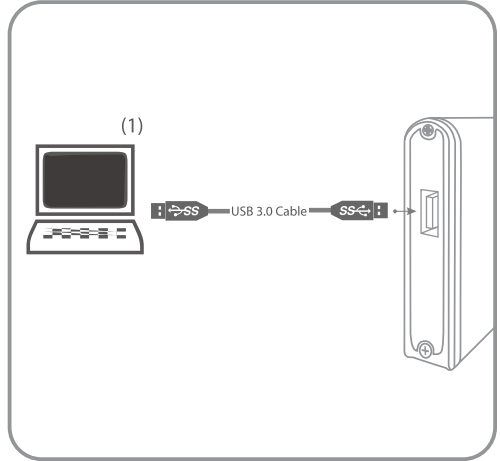
(figure 5.1-D)

Connecting the NexStar 3 to your computer:

- (1) Connect the type (A) USB connector to the NexStar 3 SuperSpeed and the type (A) USB connector to an available USB port on your system. (figure 5.1-E)
- (2) Once the NexStar 3 SuperSpeed has been connected, the power should be drawn from the USB port and your hard drive should begin to spin up.
- (3) Your operating system should detect the NexStar 3 SuperSpeed and automatically install the necessary drivers. Once your operating system finishes setting up the NexStar 3, it will mount your hard drive. On Mac OS systems, the new volume should appear on desktop. On a Windows PC, the new volume will appear under My Computer.
- (4) Your NexStar 3 SuperSpeed External Hard Drive is now ready for use.

NOTE :

For new hard drives, you will need to initialize and partition your hard drive before it will appear in Windows Explorer or on your Mac desktop. Please refer to your hard drive manufacturer's documentation or read the "Creating a New Partition" section of this manual.



(figure 5.1-E)

NOTE :

The USB 3.0 Y-Cable is to provide extra power to the hard drive if needed. If your hard drive does not spin up properly, please connect the extra USB into an available USB port.

NOTE :

If you can see the USB icon in the system tray, but no disk appears in "My Computer", please confirm that your hard disk is partitioned.

6. Disconnecting the NexStar 3 SuperSpeed:

NexStar 3 SuperSpeed USB 3.0 External 3.5" HDD Enclosure:



Windows XP/Vista/7:

- (1) Make sure all operations using the hard drive within the NexStar 3 SuperSpeed has ceased.
- (2) Close any windows and programs pertaining to the NexStar 3 SuperSpeed.
- (3) Double click the green "Safely Remove Hardware" icon in the system tray and select [Safely Remove USB Mass Storage Device]. Select the device you wish to remove and click on [Stop]. The system should prompt, "It is now safe to remove the USB device." If not, wait for any programs still using the device to finish and try again.
- (4) You may now safely turn off and disconnect the NexStar 3 SuperSpeed.



Mac OS:

- (1) Make sure all operations using the hard drive within the NexStar 3 SuperSpeed has ceased.
- (2) Close any windows and programs pertaining to the NexStar 3 SuperSpeed.
- (3) From the Desktop, drag the NexStar 3 SuperSpeed hard drive to the trash.
- (4) You may now safely turn off and disconnect the NexStar 3 SuperSpeed.



WARNING :

NEVER remove the NexStar 3 SuperSpeed while the hard drive is in use. Doing so may corrupt the data on the hard drive or damage the hard drive, NexStar 3 SuperSpeed and the computer.

7. Creating A New Partition:

For Windows XP / Vista/7 Users:

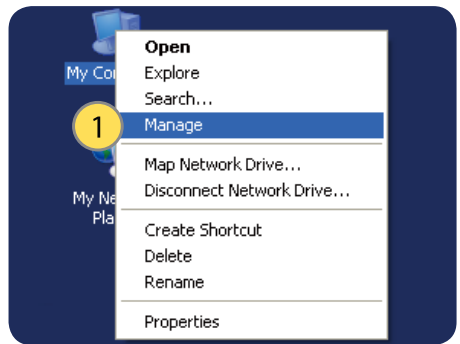
- (1) Right click on “My Computer” and choose “Manage”. (figure 7-A)
- (2) Under “Storage” on the LEFT pane, select “Disk Management”. (figure 7-B)
- (3) Windows should now give you the option to initialize the disk. If not, locate the new disk, right-click on the new disk (where it reads “Disk #”) and choose Initialize. This step may not be required for some hard drives.
- (4) Go through the wizard. (figure 7-B)
- (5) Once complete, locate your hard drive in the bottom right pane. Right click on the area with a status bar (to the right of the “Disk #” area) and choose New Partition.

! WARNING :

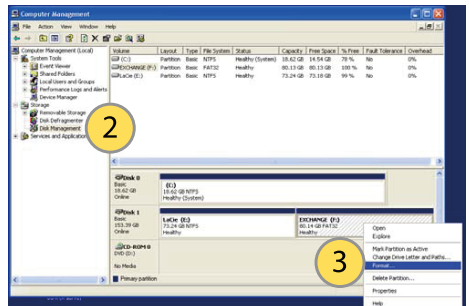
Doing the following setup will erase any existing data on the drive.

NOTE :

Most hard drives should come with a CD that includes an installation program. If not, a download should be available from the manufacturer's website. The best way to partition a new hard drive is by using the manufacturer's program. Please refer to your hard drive's documentation for further information on formatting or partitioning the hard drive.



(figure 7-A)



(figure 7-B)

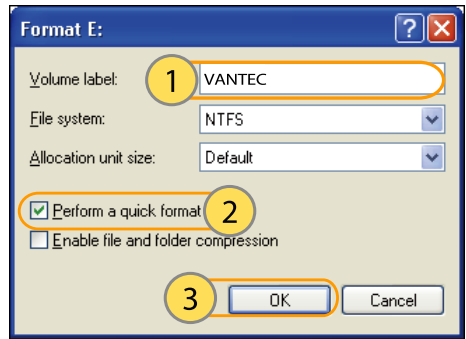
- (6) Follow the directions of the wizard.
The recommended type is "primary" and the recommended file system is "NTFS." Please note that Windows® XP/Vista/7 limits FAT32 partitions to only 32GB.

(figure 7-C)

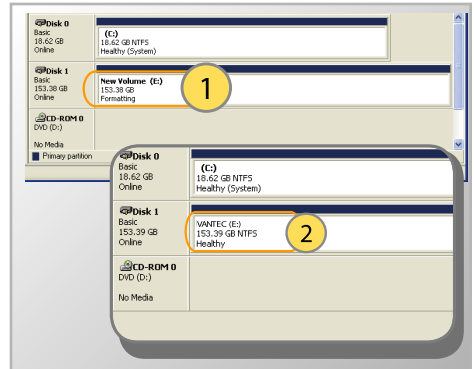
- (7) Windows Disk Management will format and partition the disk according to your settings. Please allow some time for the partition and format to complete.

(figure 7-D)

- (8) Once completed, your drive will appear in My Computer or in Window Explorer.



(figure 7-C)



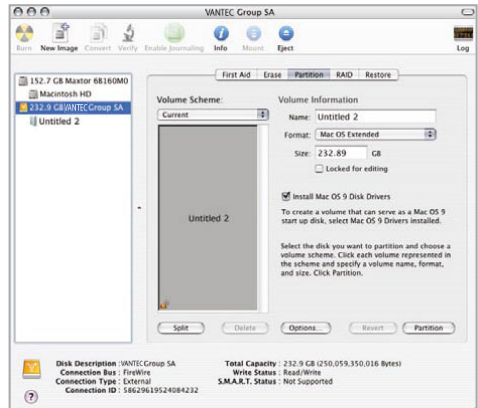
(figure 7-D)

Formatting for Mac Users

- (1) Connect the device to the computer. Once connected please turn on the device.
- (2) Select Utilities from the Go menu in the Finder menu bar.
- (3) Select Disk Utility which is in the Utilities Folder.
- (4) When the Disk Utility window is open, select the volume labeled Vantec Desktop Hard Disk from the list of available hard drives on the left side of the window.
- (5) Select the Partition tab.
- (6) From the Volume Scheme menu, choose the desired number of partitions (Mac OS 10.x gives you the option of dividing the drive into at most 16 partitions). You may adjust the size of each partition using the slide bar between the partitions in the Volume Scheme area.
- (7) In the Volume Information section, enter the desired name for each volume (partition). You may choose one of the following volume format (Mac OS Extended, Mac OS Standard, UNIX File System, or MS-DOS).
- (8) Once you have finalized the volume options, click Partition. An alert message should appear, click Partition again.
- (9) Mac Disk Utility will format and partition the disk according to your settings. When partitioning is complete, your drive will be ready for use.

NOTE :

If the hard drive will not mount on your system, format the drive into FAT32 or NTFS partition through a PC system first. Once formatted, connect the NexStar Enclosure to your Mac and run the Disk Utility Tool again. The Disk Utility Tool should be able to detect the hard drive and allow you to format or mount the hard drive.



(figure 7-E)

! WARNING :

Following these steps will erase the Hard Disk. If you have data that you want to protect or continue to use, please backup your data before performing these steps.

8. Warranty:

The NexStar 3 SuperSpeed comes with a 1 year limited warranty (90 day parts). If your unit should become defective within that time frame, please go to www.vantecusa.com for information on how to receive warranty exchange or repair. Cosmetic defects and missing parts are not covered under this warranty. Please check the contents of the unit to make sure you received all parts. Also, check for any cosmetic flaws. If any parts are missing or if there are cosmetic defects, please contact the retailer from which you purchased the unit immediately and ask for a replacement.

9. Contact :

Vantec Thermal Technologies

website: www.vantecusa.com

Copyright © 2011 Vantec Thermal Technologies. All Right Reserved.
All Registered Trademarks Belong To Their Respective Companies.